

## Applications:

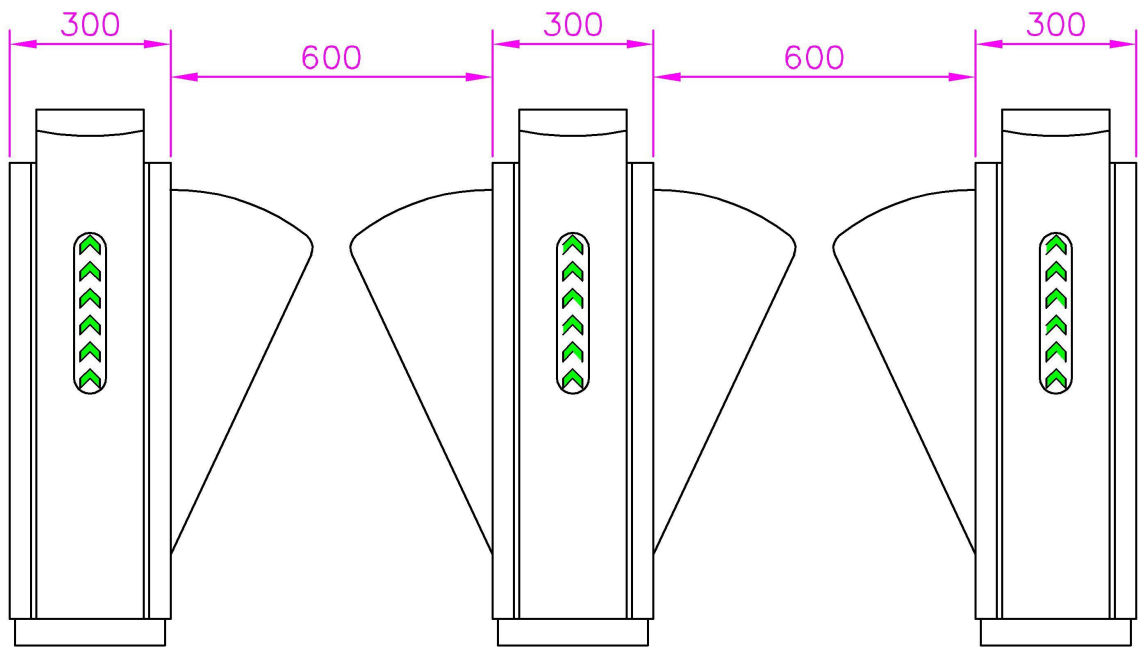
- Office and administrative buildings
- Ministries and government buildings
- Banks and financial institutions
- Airports
- Metro stations
- Coach terminals
- Tourist destinations
- Industrial buildings
- Schools and universities



## Features

Anti-trapping
Intrusion alarm
Tailgating alarm
Anti-destruction
Leave aisle timeout
Wrong way direction detection
Normally open mode
Normally close mode
Fail-Safe via battery back-up opening
Self-designed mechanical structure for stable and long-time operation

- **Warranty: One year for controller board, two years for mechanical parts.**



**Can be integrated with:**

IC/ID card reader

QR Code scanner

Fingerprint reader

Face recognition system

Biometric identification

● **Standard**

Standard model	ZOJE-Y108
Turnstile type	Flap barriers
Cabinet material	304 stainless steel
Door material	Acrylic
Dimension	1400*300*1000mm (L*W*H)
Passage width	550mm
Direction	Single / bidirectional
Power supply	AC110–220V, 50/60Hz
Working environment	Indoor & outdoor
LED indicator	Yes
Motor type	Brush motor

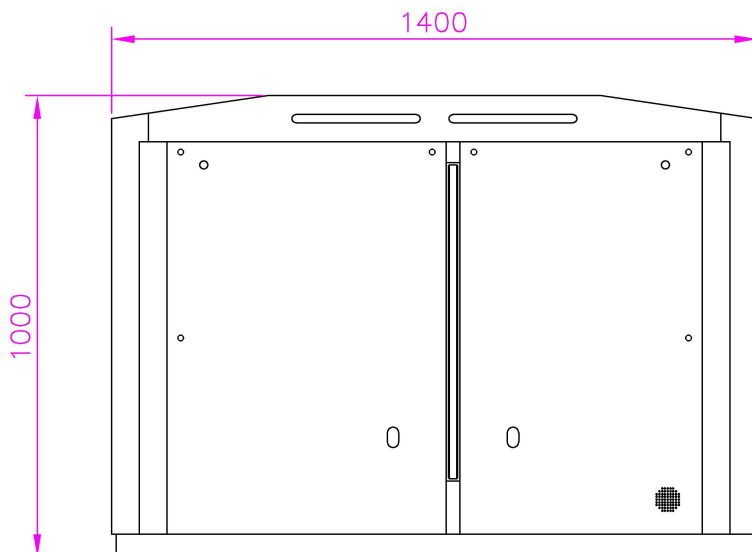
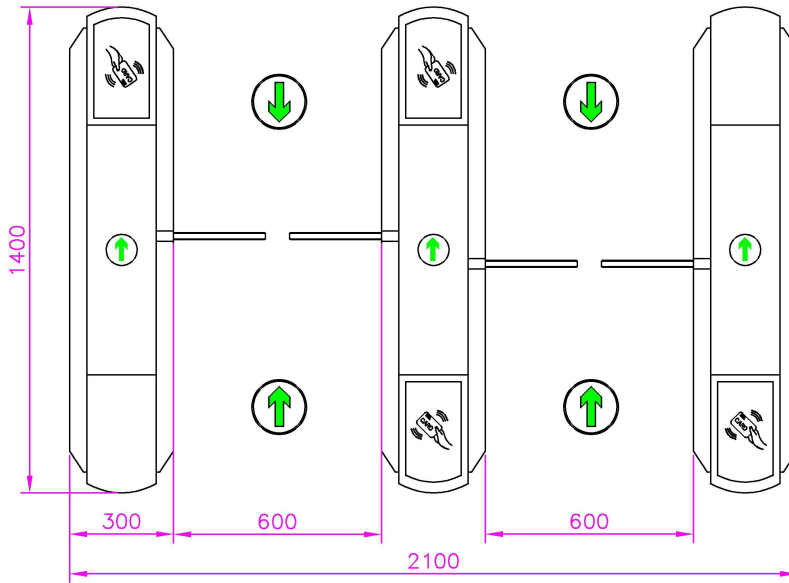
● **Optional**

Cabinet Material:  
316 stainless steel

Door Material:  
Tempered glass

Motro:  
Brushless motor  
Servo motor

Passage Width:  
850mm  
(for wheelchair)



**All ZOJE turnstile gates are built with self-designed mechanical structure for stable and long-time operation.**

